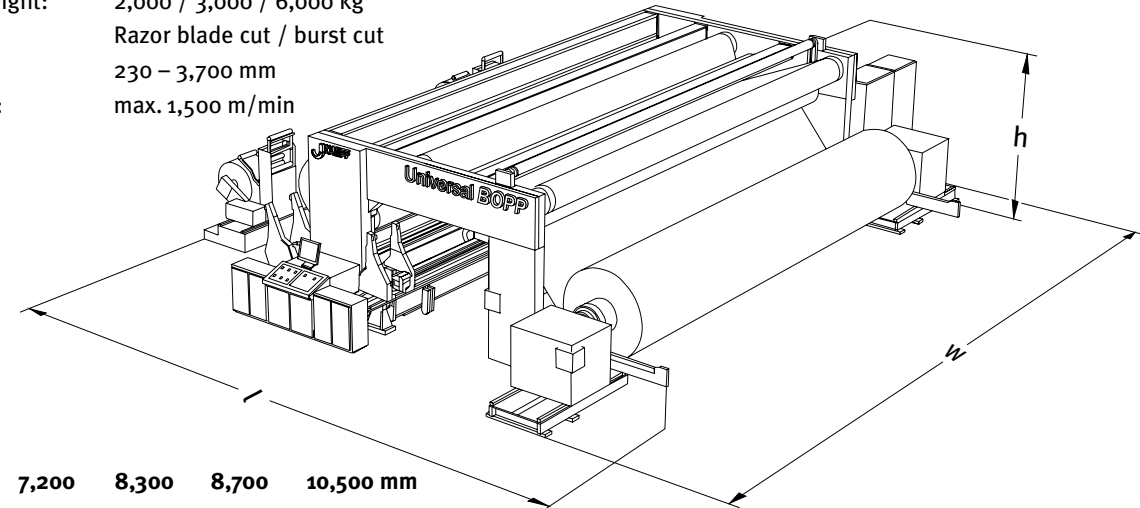


Technical data for the Universal series

Material: BOPP, BOPET, BOPA, BOPLA, CPP...
 Material thickness: 10 – 100 µm
 Material width: 7,200 / 8,300 / 8,700 / 10,500 mm
 Parent roll diameter: 1,600 / 1,800 mm
 Finished roll diameter: max. 1,200 mm / 1,500 mm
 Finished roll weight: 2,000 / 3,000 / 6,000 kg
 Slitting system: Razor blade cut / burst cut
 Slitting width: 230 – 3,700 mm
 Machine speed: max. 1,500 m/min



Material width:	7,200	8,300	8,700	10,500 mm
h	3,200	3,200	3,200	3,400 mm
l	12,500	12,500	12,500	12,900 mm
w	12,500	13,600	14,000	15,500 mm

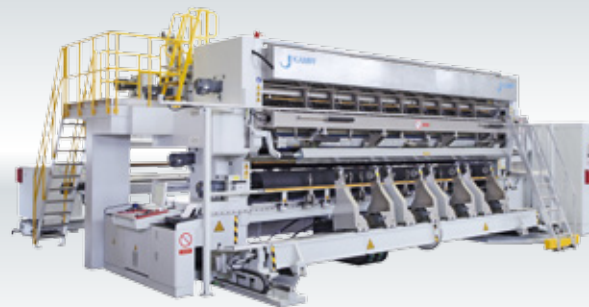
The Universal series and Unislit series are a platform for

various film application:

- LCD displays
- Optical grade films
- X-ray film
- Solar film

and required technologies like:

- Shear cut
- Knurling
- Web cleaning



Universal TF

Technical data for the Universal TF

Material thickness: up to 350 µm
 Material width: up to 6,200 mm
 Machine speed: up to 400 m/min
 Possible integration of: Web cleaning
 Cold and hot knurling
 Specialised antistatic equipment



Unislit //



Unislit L

WORLDWIDE PARTNER

■ Corporate Head Office in Wiehl/Germany
Kampf Schneid- und Wickeltechnik GmbH & Co. KG
 Muehlener Strasse 36-42
 51674 Wiehl, Germany
 fon +49 2262 81-0
 fax +49 2262 81-201
 info@kampf.de
 www.kampf.de

■ Used Machinery
Maschinen Ritter-Wickeltechnik GmbH
 Alfred-Nobel-Strasse 2
 51588 Nuembrecht, Germany
 fon +49 2293 9080-0
 fax +49 2293 9080-10
 wickeltechnik@maschinenonline.com
 www.maschinenonline.com

■ USA
Kampf Machinery Corp.
 Kennedy Technology Center
 900 River Street, Unit H
 Windsor, CT-06095
 fon +1 860 640 0040
 fax +1 860 640 0046
 info@kampfusa.com
 www.kampfusa.com

■ USA
Kampf WT, LLC
 1655 Murfreesboro Rd, Suite A
 Nashville, TN 37217
 fon +1 615 361 4140
 fax +1 615 361 4174
 info@kampfw.com
 www.kampfw.com

■ India
Kampf Machinery India Pvt. Ltd.
 508 Atlantis Heights, Sarabhai
 Compound, Near Genda Circle
 390007 Vadodara, Gujarat
 fon +91 962 404 4922
 service@kampf-india.com



■ China - Hong Kong
Kampf (Hong Kong) Co., Ltd.
 Room 803, 8/F
 Wanchai Commercial Centre
 194-204 Johnston Road, Wanchai
 Hong Kong
 fon +852 2882 1136
 fax +852 2576 6110
 kampfhk@kampf.com.hk

■ China - Shanghai
Kampf Machinery (Shanghai) Co., Ltd.
 No. 1212, Lixue Rd
 Malu Town, Jiading District
 201801 Shanghai
 fon +86 21 5951 8029
 fax +86 21 5951 8040
 kampf@kampfshanghai.com

Universal series



The high performance primary slitter rewinder

SLITTER. WINDER. KAMPF.

SLITTER. WINDER. KAMPF.

Subject to alterations. film 08/16/13/e

Universal *series* for individual needs



Your requirement

Productivity, flexibility and quality define your machinery!

Success in a dynamic, highly competitive market is your target!

Customer satisfaction is your highest priority!

The solution

Our Universal *series*

Universal *BOPET*

Universal *BOPP*

Universal *TF*

The consequent development of our successful machine concept.

Comprehensive innovations and the integration of modern, trend-setting technologies.

Your benefit

Processing of standard and special films is performed reliable and efficient.

Make use of permanent high processing speeds with a constant high quality.

Cleanest production conditions, lowest maintenance and energy costs due to consequent abdication of hydraulics.



The Universal *series* at a glance:

High productivity:

- Operating speed up to 1,500 m/min
- Shortest set up times

Clean and economical production:

- Cleanest production conditions
- Lowest maintenance and energy costs
- Consequent abdication of hydraulics

Finished roll quality:

- Strict separation of contact force and winding tension
- Precise mechanical arrangement for reproducible winding quality
- Perfect slitting equipment

Easy and user friendly process control:

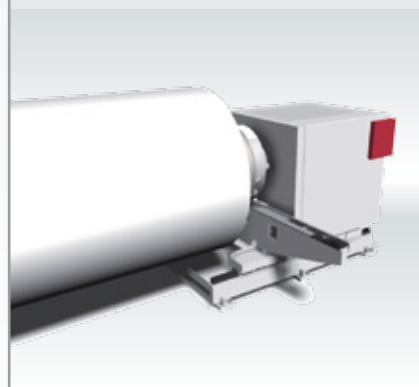
- Optimum Human Machine Interface
- Easy to use visualisation

Compact and accessible:

- Compact machine design safes valuable production area
- Optimum operator overview
- Best access for maintenance

Simple and safe

- Easy and operator friendly parent roll change
- Maximum production safety



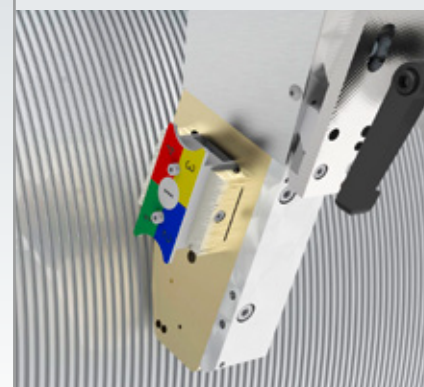
Efficient and reliable

- High efficient web tension control for high quality rolls
- Excellent web handling and shortest web path



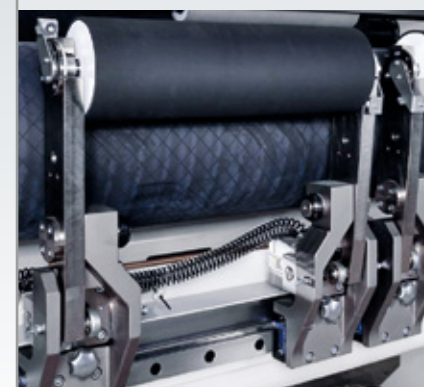
Fast and precise

- Shortest set up times for rewind and slitting section
- Precise and fully automatic positioning
- Automatic and safe blade change or switch to burst cut



Reproducible and measurable

- Optimum winding density for your products
- Special coating for the contact rollers
- Quick and save roller change without tools



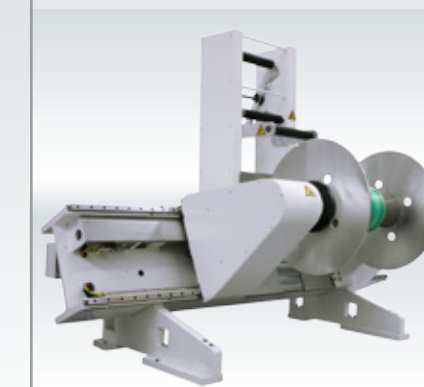
Accurate and durable

- Precise mechanical arrangements for reproducible winding conditions
- Long time proven electro-mechanical systems for the linear and swivelling rewind system.



Compact and highly productive

- Edge trim winding
- Edge trim spooling
- Coreless winding



Easy and intuitive

- 2-touch navigation
- Stunning user interface with modular menus

